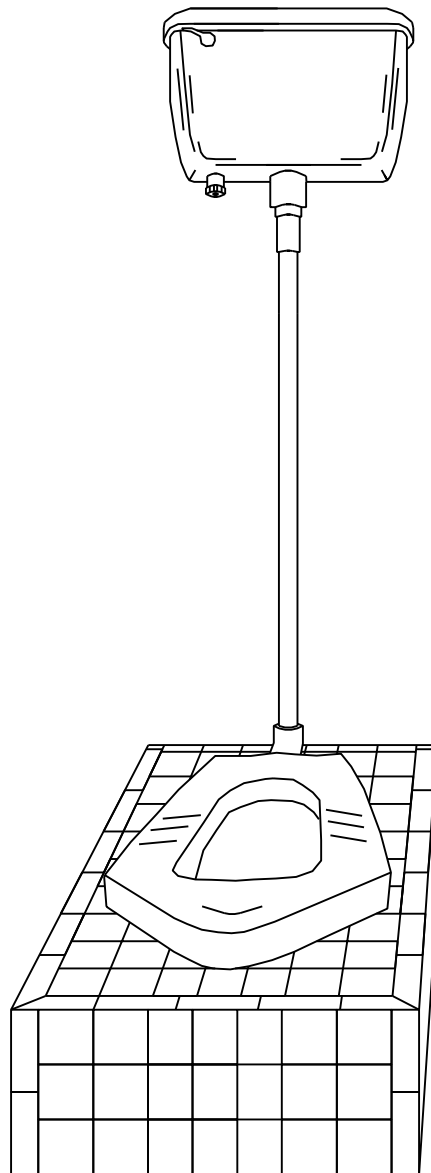


EZ-Retrofit Box Layout Guide

**For Models:
BEC-114BT, BEC-114BO,
BEC-116BT & BEC-116BO**



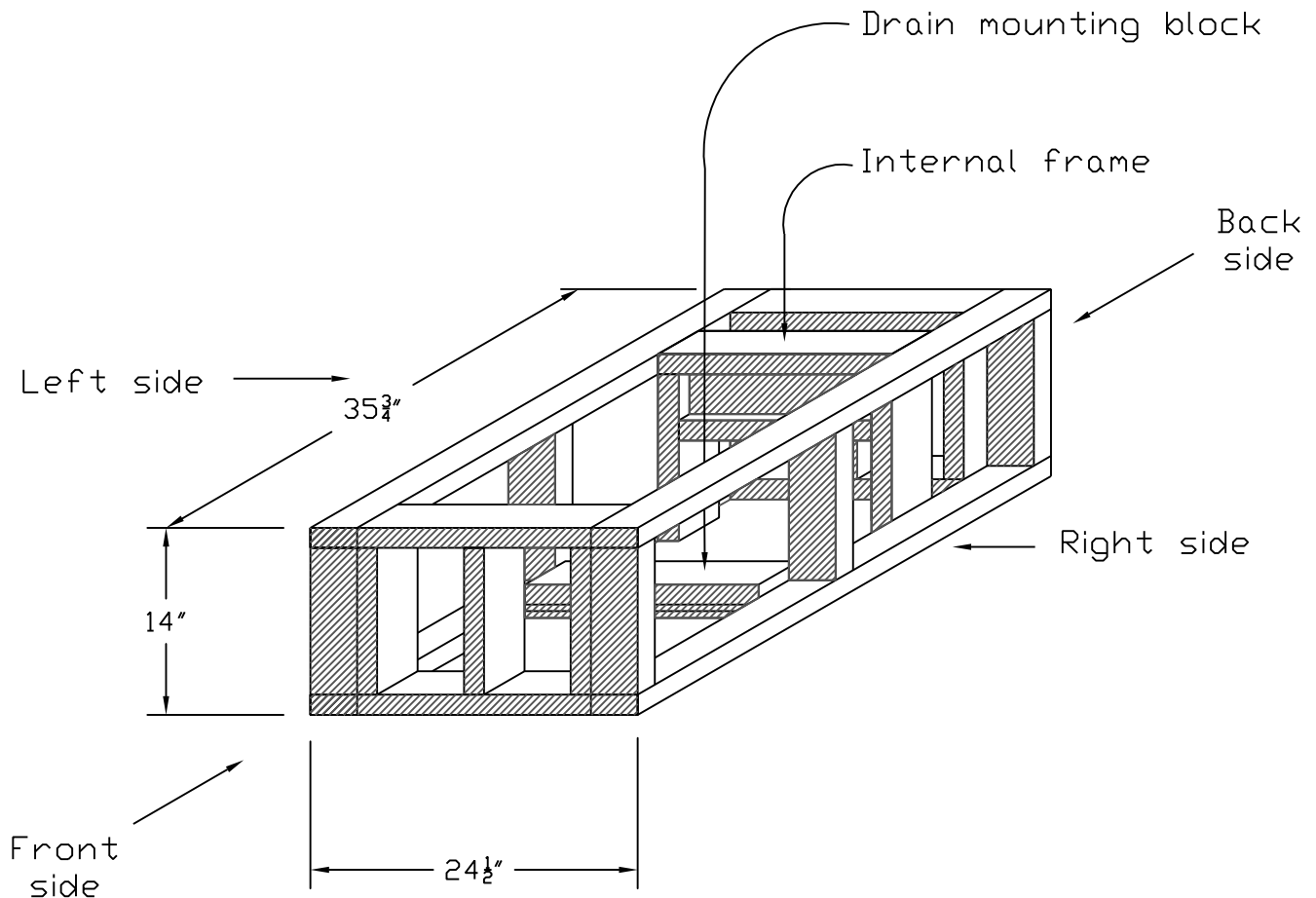
EZ-Retrofit Box Layout Guide

Table of Contents

1.	Building the Sub-frame	3
a.	Left and right side-frames	4
b.	Front and back frames	5
c.	Internal frame	6
d.	Drain mounting block	9
e.	Joining the Sub-frame components	11
2.	Attaching Plywood to the Sub-frame	14
3.	Cutting the Template Hole and Marking the Sub-frame Top Deck	18
4.	Mounting the Sub-frame in Position	20
5.	Tiling the Retrofit Box	21
6.	Plumbing the Drain in the Retrofit Box	22
7.	Mounting the Bowl Atop the Retrofit Box	27
8.	EZ-Retrofit Accessories and Adapters	28

EZ-Retrofit Box Layout Guide

3-d View of Box Sub-frame Only

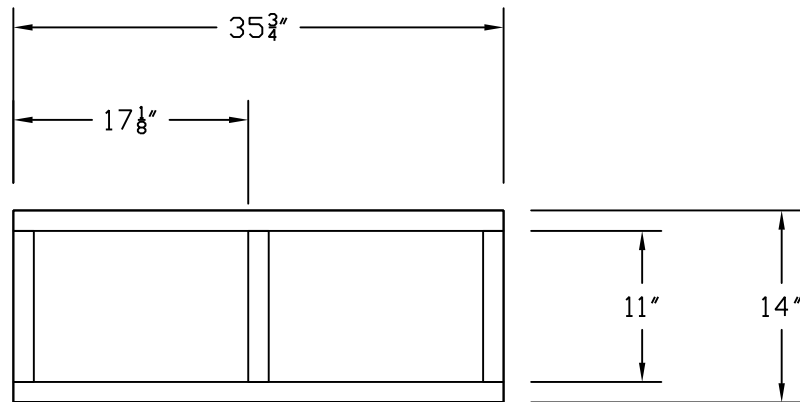


Note; All vertical dimensions given in this Layout Guide are for models BEC-114BT & BEC-114B□. To convert this guide to accommodate a BEC-116BT or BEC-116B□ installation, simply add 2" to all vertical dimensions.

EZ-Retrofit Box Layout Guide

Left and Right Frames

Side View

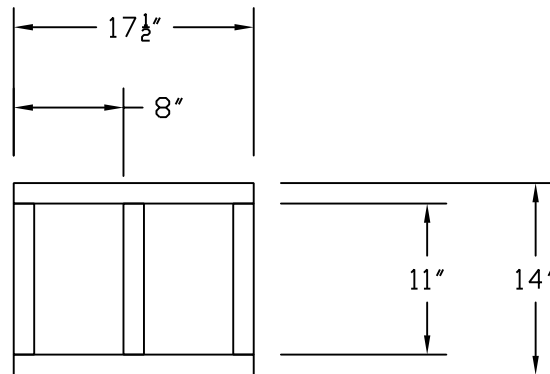


Make left and right side frames.

EZ-Retrofit Box Layout Guide

Front and Back Frames

Front View



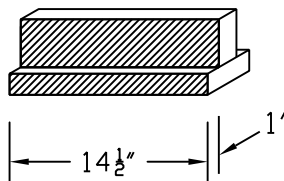
Make front and back frames.

EZ-Retrofit Box Layout Guide

Internal-frame

Inner-cross Boards

3-d View



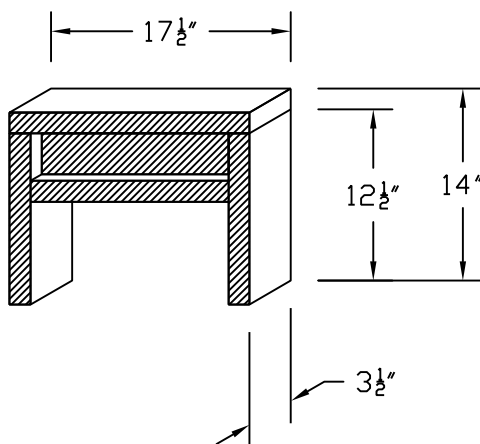
Cut two 14- 1/2" blocks and screw to one another with 3 - 4 evenly spaced screws, with blocks oriented in relationship to one another as shown. This is the center portion of the inner frame.

EZ-Retrofit Box Layout Guide

Internal-frame

Complete Frame

3-d View

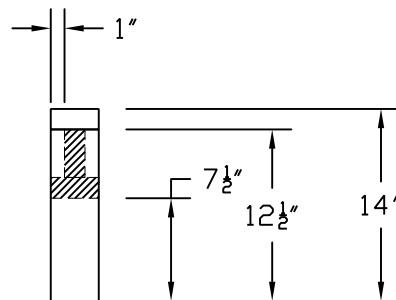


Cut two 12- 1/2" blocks and one 17- 1/2" block and screw together the remainder of internal frame as shown.

EZ-Retrofit Box Layout Guide

Internal-frame

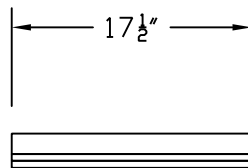
Side View



EZ-Retrofit Box Layout Guide

Drain Mounting Block

Front View

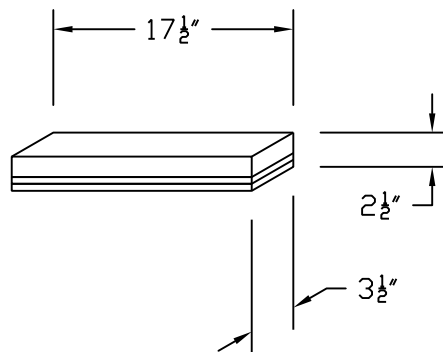


Make drain mounting block from one 2x4 and two pieces of $1/2$ " plywood.

EZ-Retrofit Box Layout Guide

Drain Mounting Block

3-d View

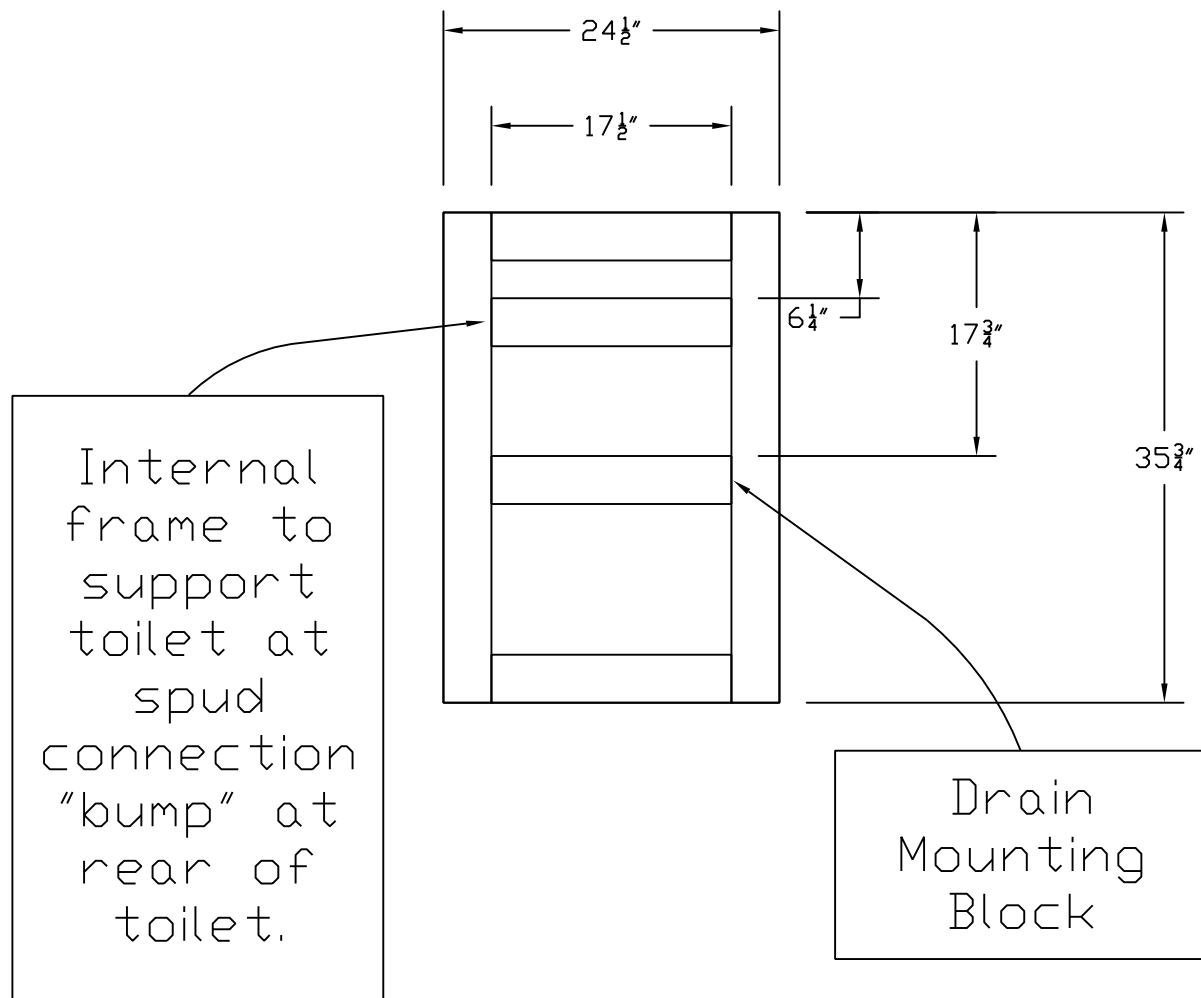


Three dimensional view of drain
mounting block

EZ-Retrofit Box Layout Guide

Sub-frame Assembly

Top View

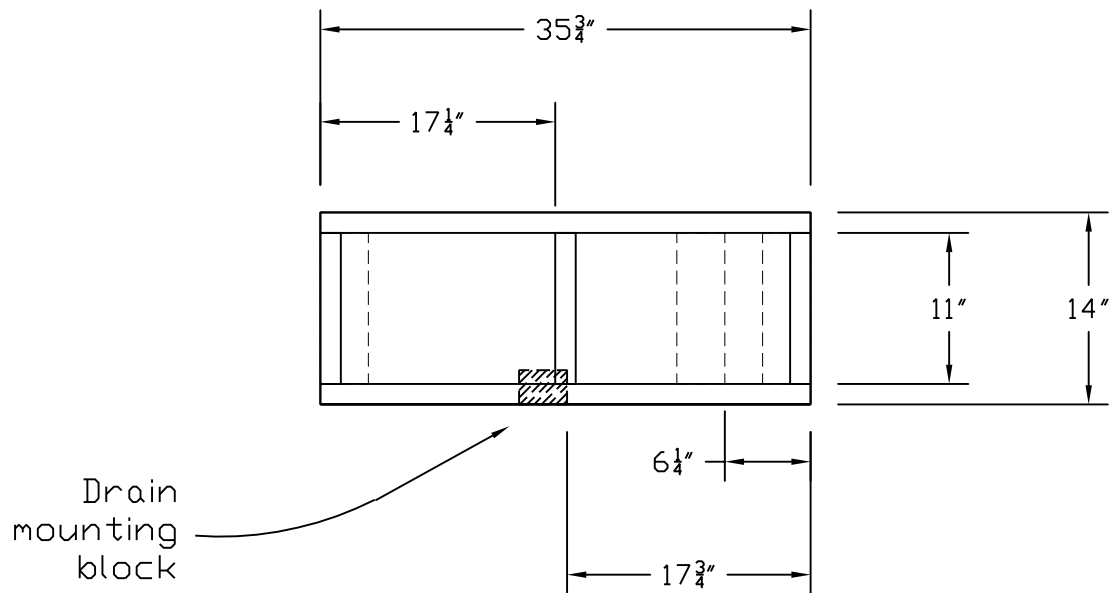


Toenail/ screw all 5 frames & drain mounting block together to form box sub-frame.

EZ-Retrofit Box Layout Guide

Sub-frame Assembly

Side View

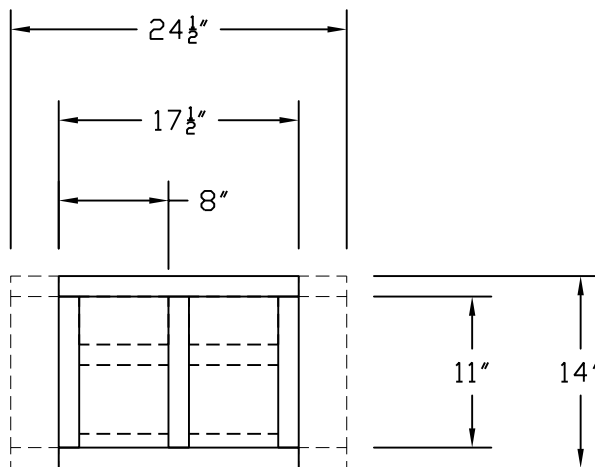


Dashed lines show front, back and internal frames.

EZ-Retrofit Box Layout Guide

Sub-frame Assembly

Front View

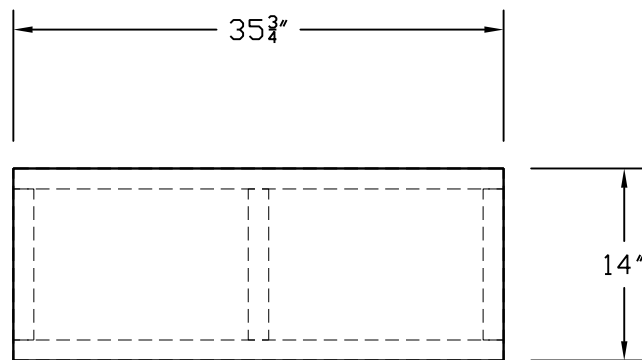


Dashed lines show left and right side frames, internal frame, and drain support block.

EZ-Retrofit Box Layout Guide

Paneling Attachment

Side View



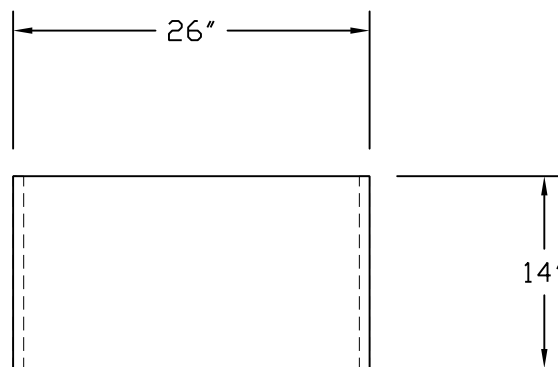
Dashed lines show left or right frame under plywood side panel

Make two $\frac{3}{4}$ " thick by $35 - \frac{3}{4}$ " x 14" side panels and attach to left and right sides as shown.

EZ-Retrofit Box Layout Guide

Paneling Attachment

Front View



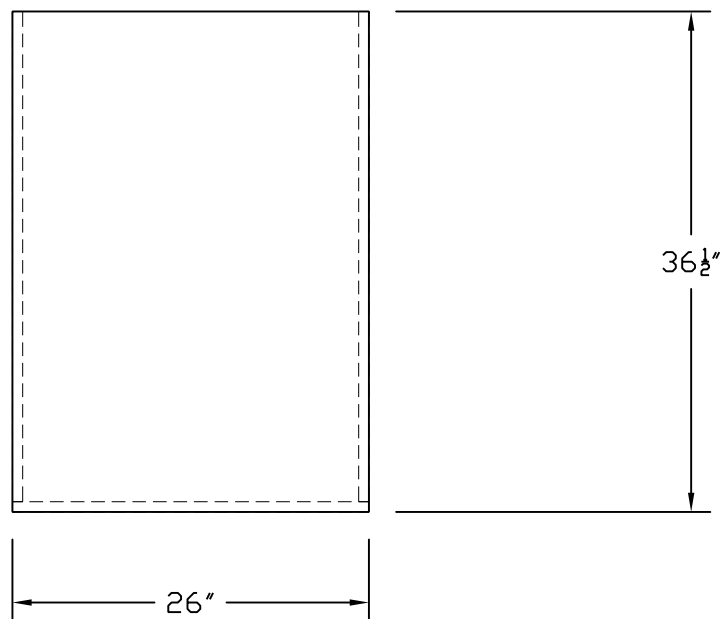
Dashed lines show plywood side panels

Make one $3/4'' \times 26'' \times 14''$ front panel and attach to front as shown.

EZ-Retrofit Box Layout Guide

Paneling Attachment

Top View

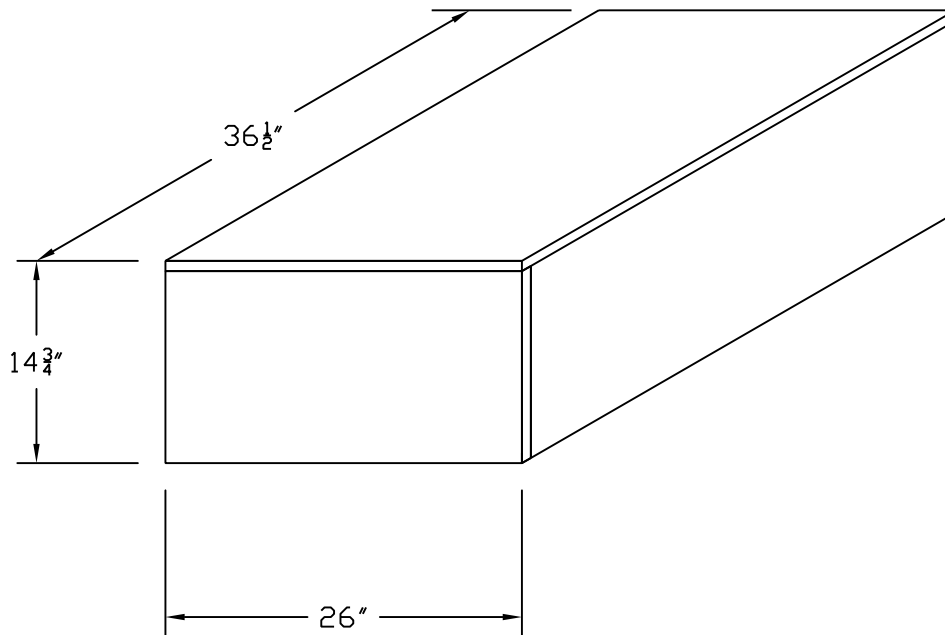


Dashed lines show lower plywood panels

Make one 3/4" x 26" x 36- 1/2" top panel and attach to top as shown.

EZ-Retrofit Box Layout Guide

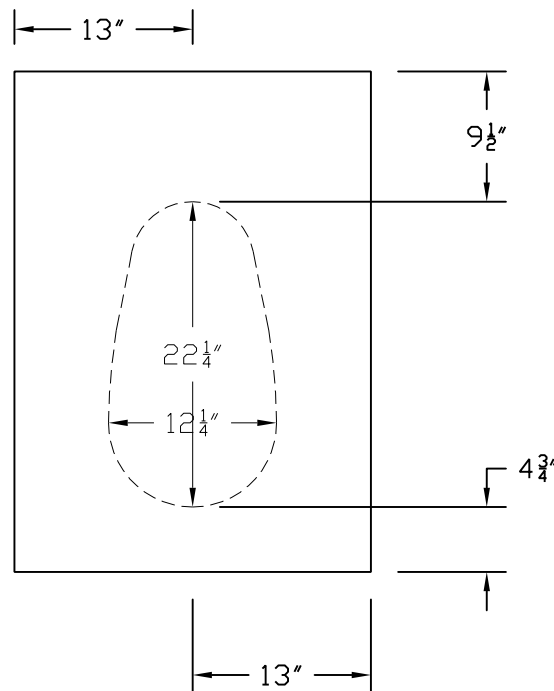
3-d view with plywood panels applied



EZ-Retrofit Box Layout Guide

Template Hole Cutting

Top View



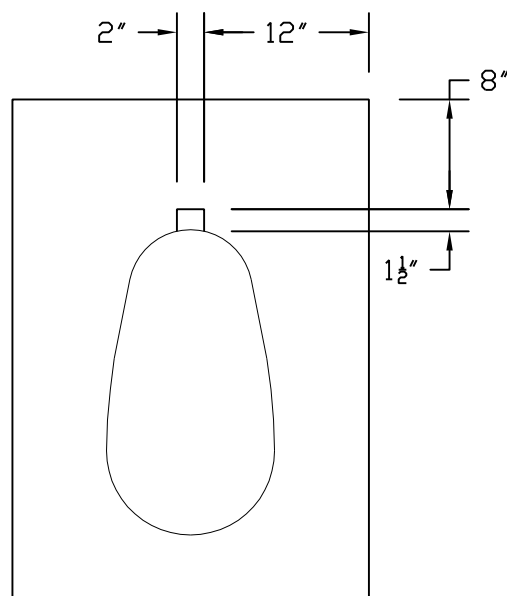
Cut out inner hole of template sheet, position as shown and affix with tape.

Use marker, trace around edges, then cut out corresponding hole.

EZ-Retrofit Box Layout Guide

Drawing in the Inlet-Bump Tile-Notch

Top View



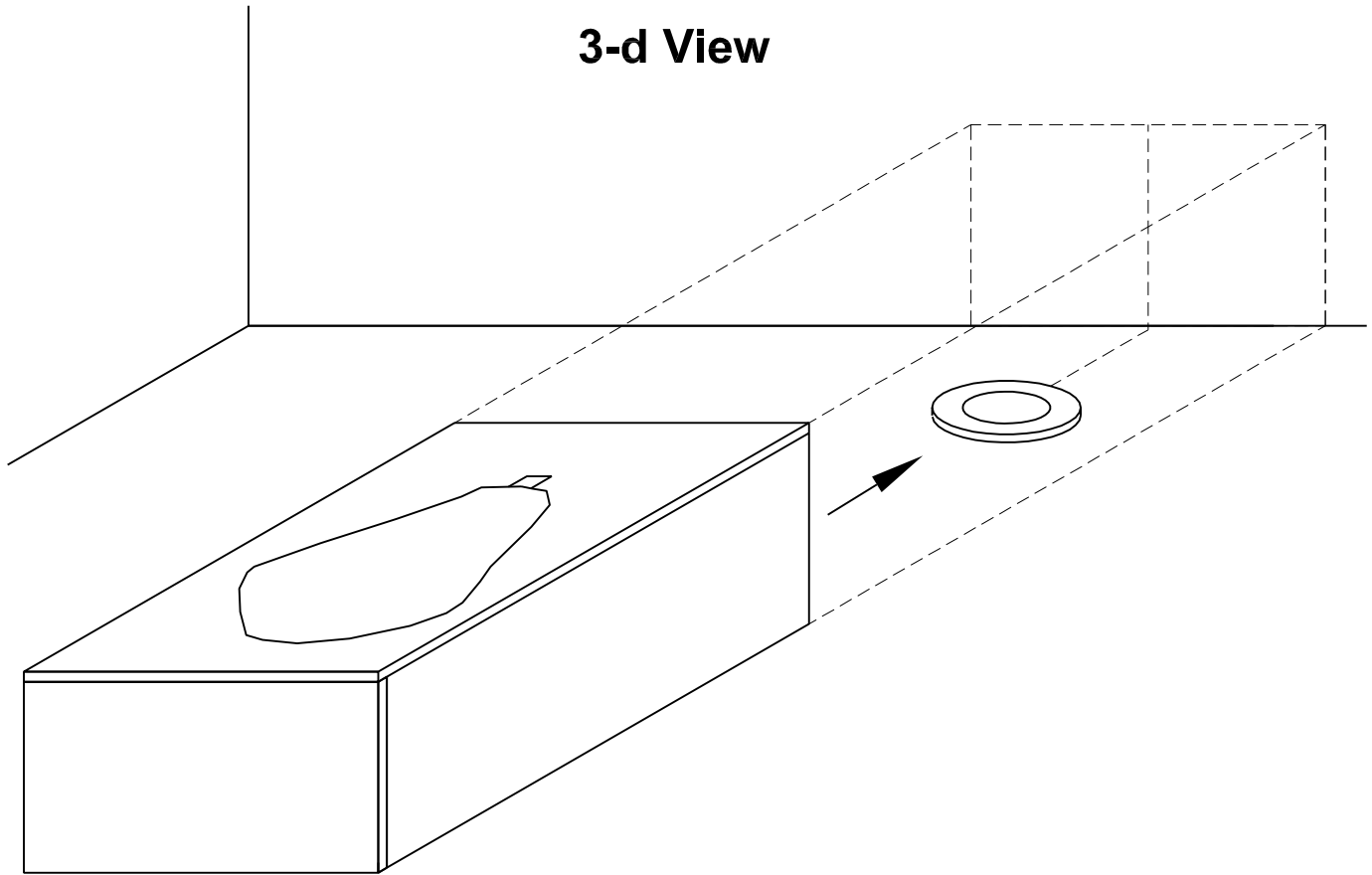
Draw a rectangle for the "inlet-bump tile-notch" as shown above.

When tiling, allow "inlet-bump" to rest directly on wood, and grout around inlet-bump to seal.

EZ-Retrofit Box Layout Guide

Securing the Sub-frame

3-d View

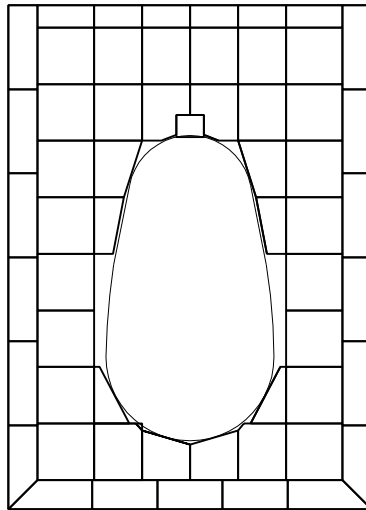


Center the sub-frame box from left to right over the existing toilet flange. Screw down to floor and wall.

EZ-Retrofit Box Layout Guide

Tile Layout

Top View



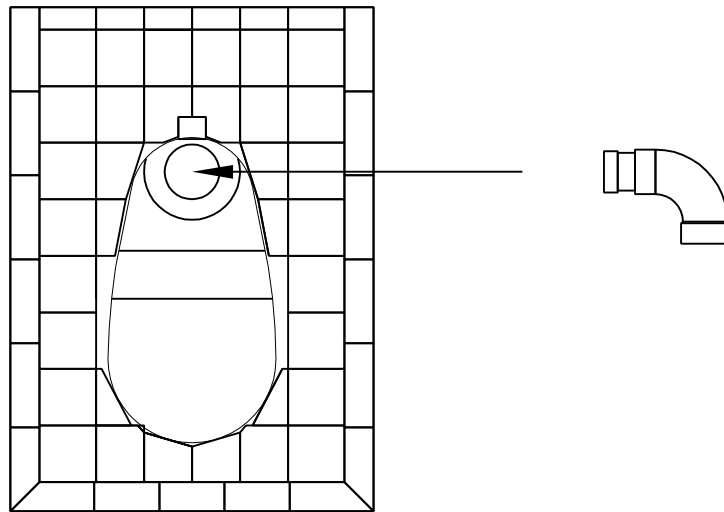
Now tile over the box.

When laying out the tile on the top deck, leave the bare wooden deck exposed within the "inlet-bump tile-notch".

EZ-Retrofit Box Layout Guide

Inserting the Flange Adapter

Top View

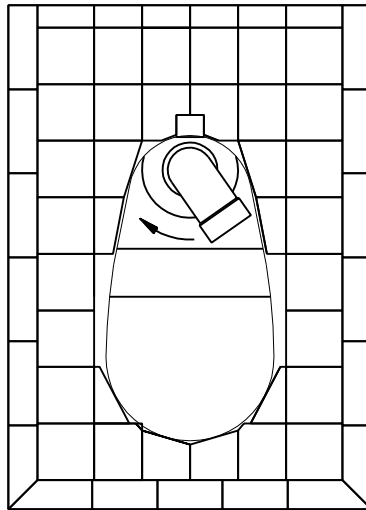


Determine the inner diameter of the toilet drain at the toilet flange, then use the chart found on pg. 28 to determine which Adapter-Kit is required. Insert either a 3" flange adapter, or a 4" flange adapter, from your Adapter-Kit into the drain as shown.

EZ-Retrofit Box Layout Guide

Locking the Flange Adapter in Place

Top View

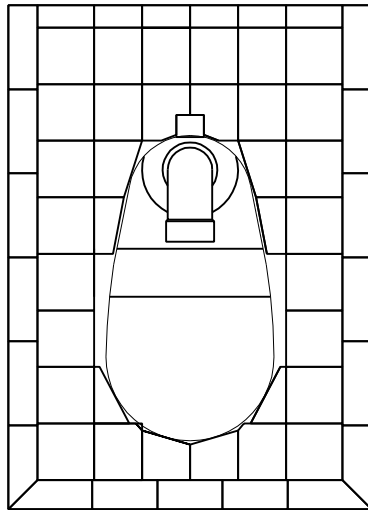


After inserting the flange adapter, rotate it clockwise until the black rubber gasket rides up to make a tight seal against the inside of the original drain pipe.

EZ-Retrofit Box Layout Guide

Aligning the Flange Adapter

Top View

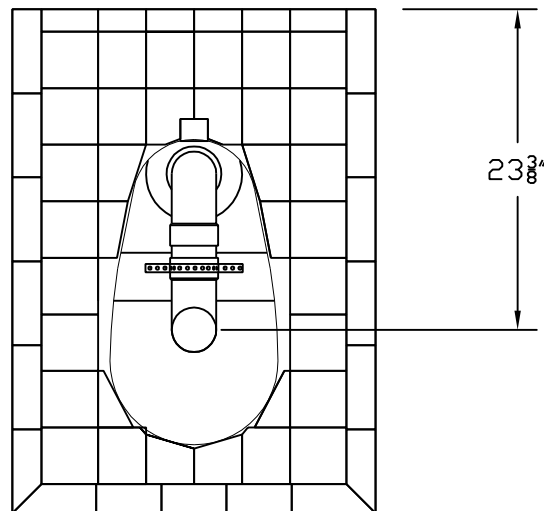


Once the rubber gasket begins to ride up and seal, make the final adjustment by aligning the flange adapter so it points towards the front of the retrofit box.

EZ-Retrofit Box Layout Guide

Extending Drain to the Final St. 90

Top View

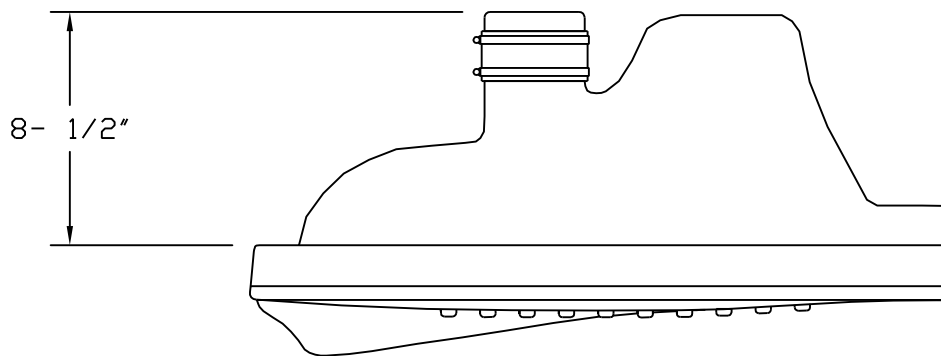


Now the drain must be piped in schedule 30- 3" pipe to the final street 90. The center of the street 90 pointing up must measure 23- 3/8" from the wall. Cut a short piece of 3" pipe approximately 4- 3/4" long to connect the final street 90 to the flange adapter 90. (This length may vary, depending on how far out from the wall the original closet flange was located.) Verify that the short piece of pipe will enable you to set the center of the final street 90 pointing up at 23- 3/8" from the wall. Once this dimension is verified, glue and strap down the final leg of the drain as shown, being careful to align all correctly.

EZ-Retrofit Box Layout Guide

Attaching Adapter Bushing to Bowl Outlet

Side View



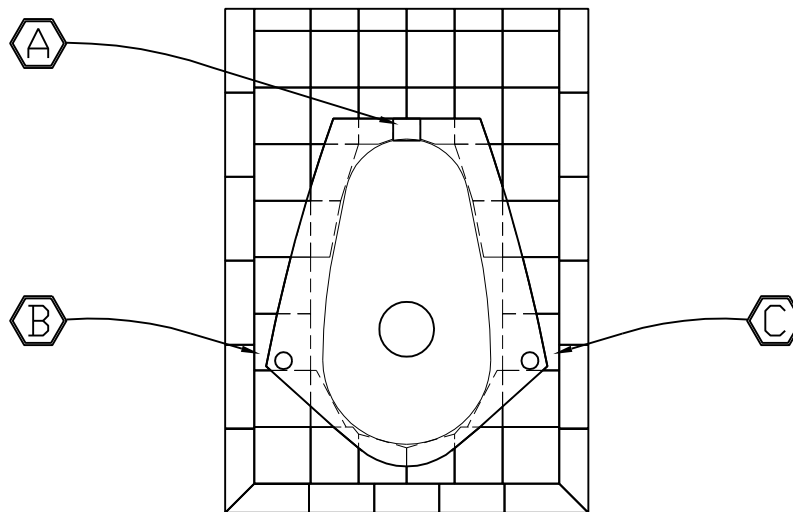
If installing a 14" bowl, then use a standard 4" no-hub clamp to clamp the adapter bushing from your EZ314 or EZ414 "Retrofit Adapter Kit" onto the outlet of the toilet. (See Pg. 28 for more information about Adapter Kits.)

If installing a 16" bowl, then clamp on a standard 3" sched. 30 x sched 40 adapter using a standard 3" no-hub clamp.

EZ-Retrofit Box Layout Guide

Setting the Bowl

Top View



1. Set two 1" diameter x 2- 1/2" long galvanized pipe nipples, standing on end in positions "B" & "C" as shown.
2. Primer and glue interior of bushing clamped to bowl outlet, and primer and glue male stub of st. 90.
3. Set down and glue-in the bowl drain as shown, with the "inlet-bump" resting in the untiled notch at position "A", resting directly on the wood below. The bottom side of the main bowl deck will sit approximately 3/4" above the finished tile surface.
3. Now run the pipe from the bowl to the tank.
4. Grout in the 1" gap with standard tile grout.

EZ-Retrofit Box Drain Accessories

**EZ-Retrofit
Adapter Kit
Kit Number Chart**

Drain size	Bowl Size	
	14"	16"
3"	EZ314	EZ316
4"	EZ414	EZ416

Kit Details

Kit #	Kit Includes:	Kit Price
EZ314	1- 3" Flange Adapter, 1- 3" Outlet Bushing	\$ 79.00
EZ316	1- 3" Flange Adapter	\$ 54.00
EZ414	1- 4" Flange Adapter, 1- 3" Outlet Bushing	\$ 79.00
EZ416	1- 4" Flange Adapter	\$ 54.00