


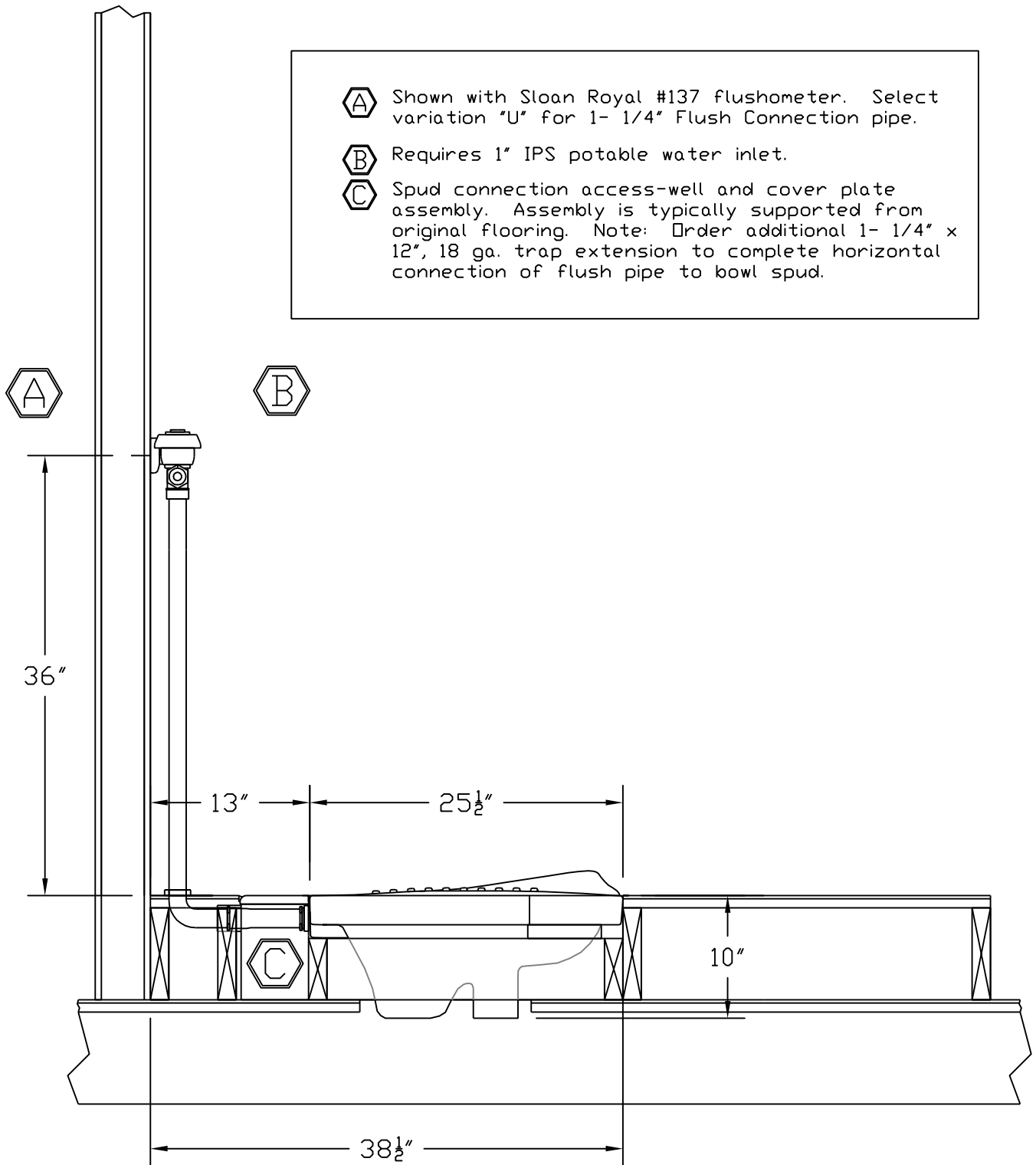
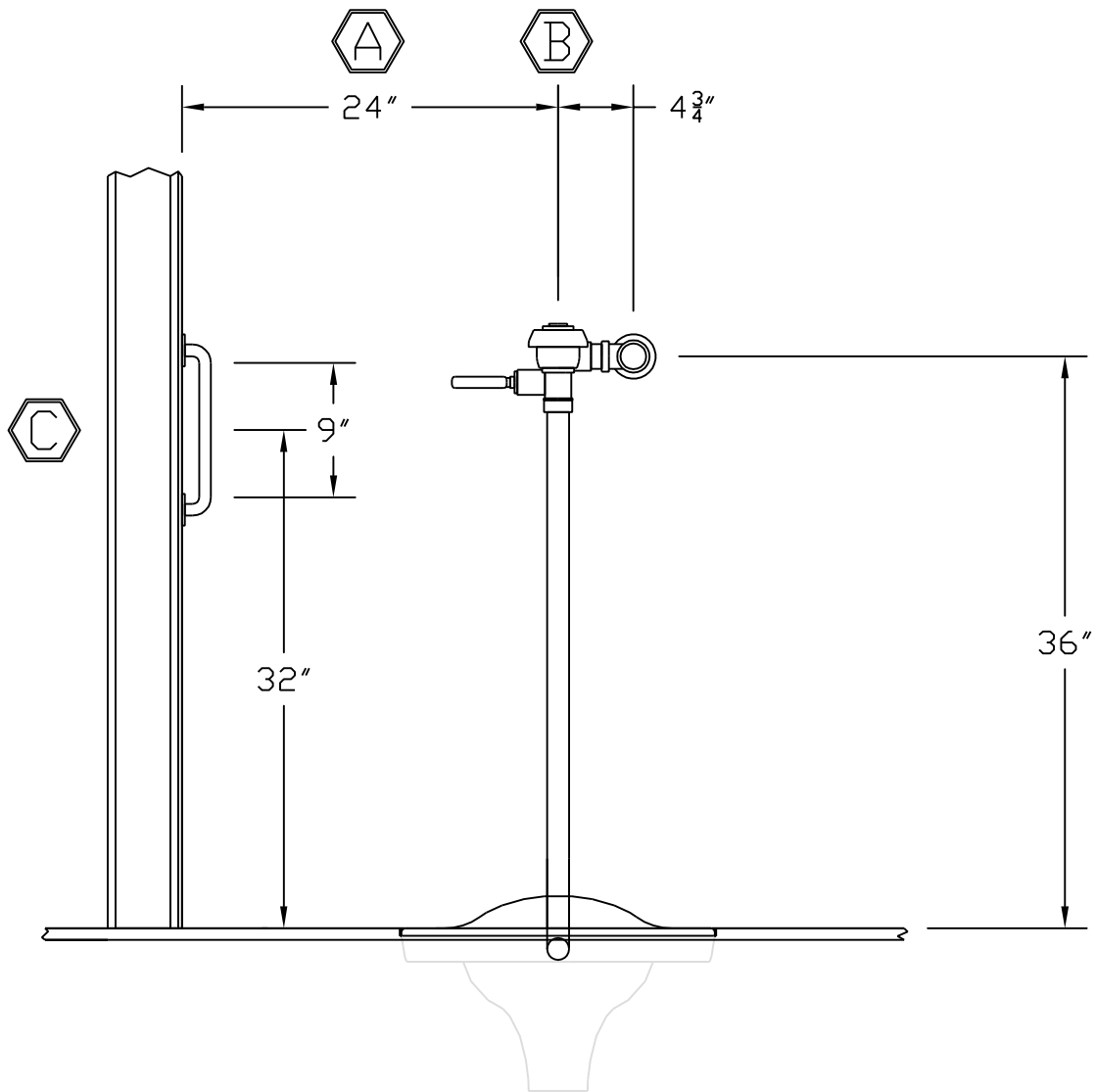





BEC-116bt With Sloan Royal 137 Flushometer
Side View

-  Shown with Sloan Royal #137 flushometer. Select variation "U" for 1- 1/4" Flush Connection pipe.
-  Requires 1" IPS potable water inlet.
-  Spud connection access-well and cover plate assembly. Assembly is typically supported from original flooring. Note: Order additional 1- 1/4" x 12", 18 ga. trap extension to complete horizontal connection of flush pipe to bowl spud.

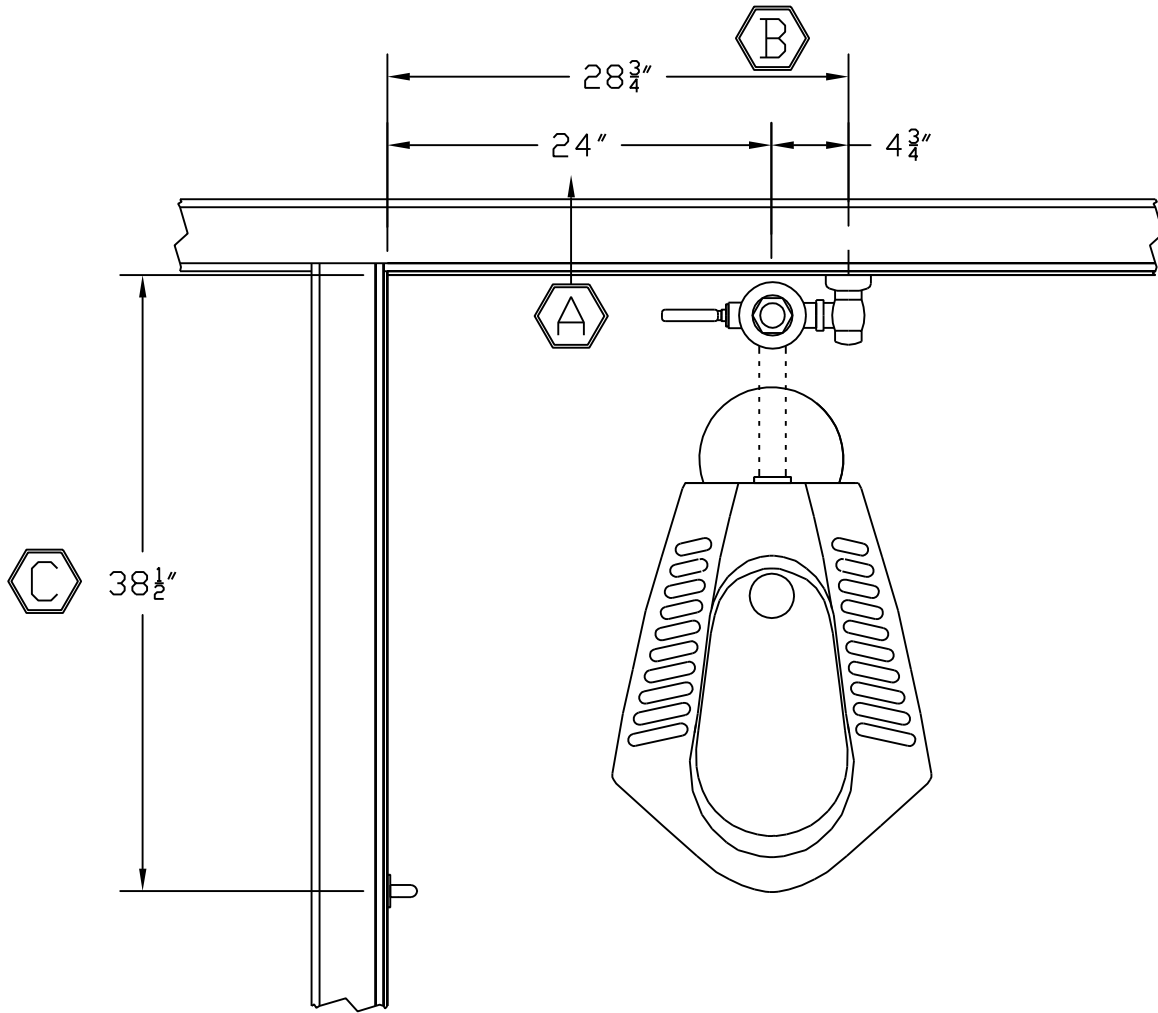





BEC-116bt With Sloan Royal 137 Flushometer
Front View



-  Typical clearance to nearest sidewall
-  Center line
-  Typical placement of grab bar(s)

BEC-116bt With Sloan Royal 137 Flushometer
Plan View



-  Typical clearance to nearest sidewall
-  Center line
-  Typical placement of grab bar(s)