



BLUE EARTH CERAMICS

FONTA MINI BIDET

Features

- Heavy Chrome Faucet
- UPC Code Approved Vacuum Breaker
- Vacuum Breaker Prevents Any Possibility of Cross-Contamination
- Highest Quality Sanitary Standards Available on the Market
- Wall Handle Regulates Spray Pressure
- Dual Shut Offs for Maximal Control of Cleansing Spray
- Hand Button Regulates On/ Off
- Wall Handle Regulates Spray Pressure
- Can be Used With Either Tempered Water Source or Cold Water Source
- Standard American Pipe Size 1/2" FIP Inlet in Rear
- Finishes Either Metallic or Braided Hose
- Complete With Chrome Sprayer Mount Bracket

Codes/Standards Applicable

Specified model meets or exceeds the following:

- ANSI A112-19-2

BEC-101MB

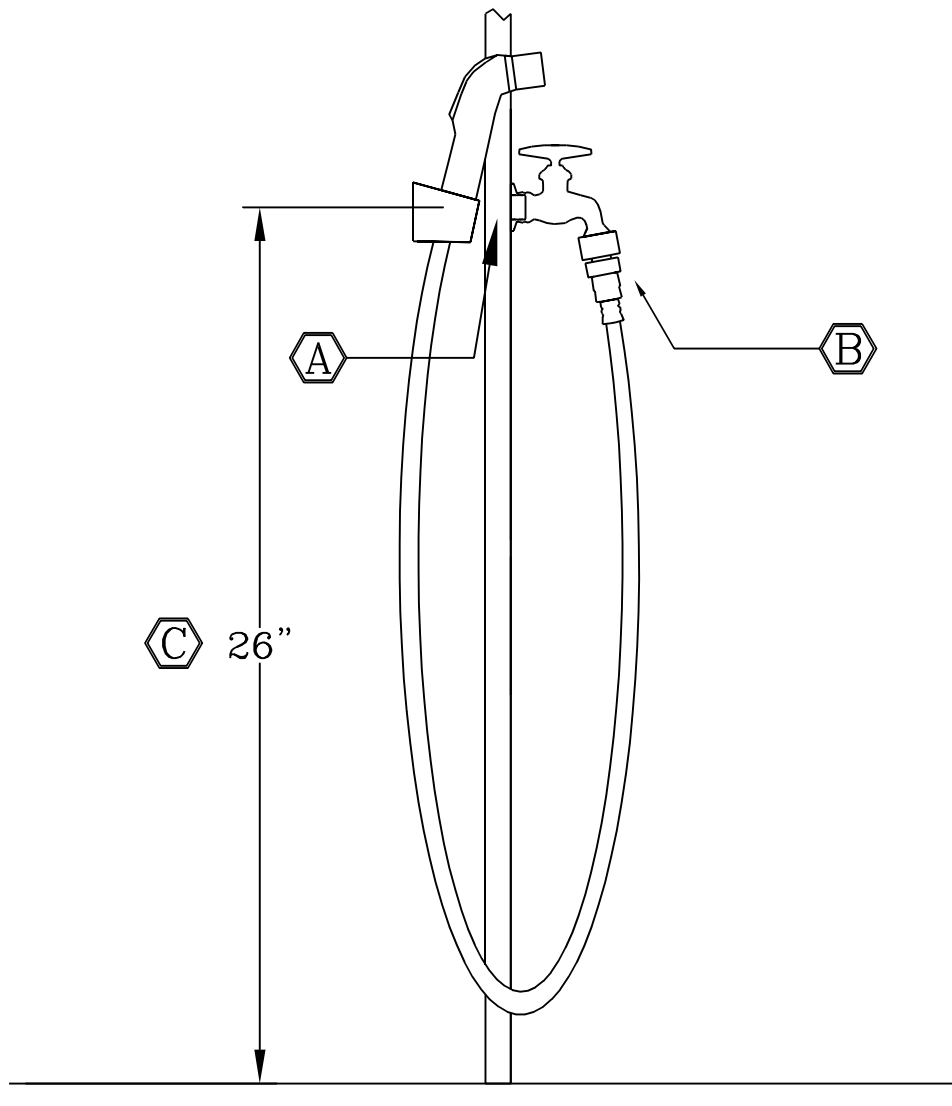


Product Specification

The mini-bidet shall be made of chrome plated brass valve and plastic composite materials.

Mini Bidet shall be BLUE EARTH CERAMICS model #MB-101

BEC - MB101 Fonta Mini-Bidet: Composite View

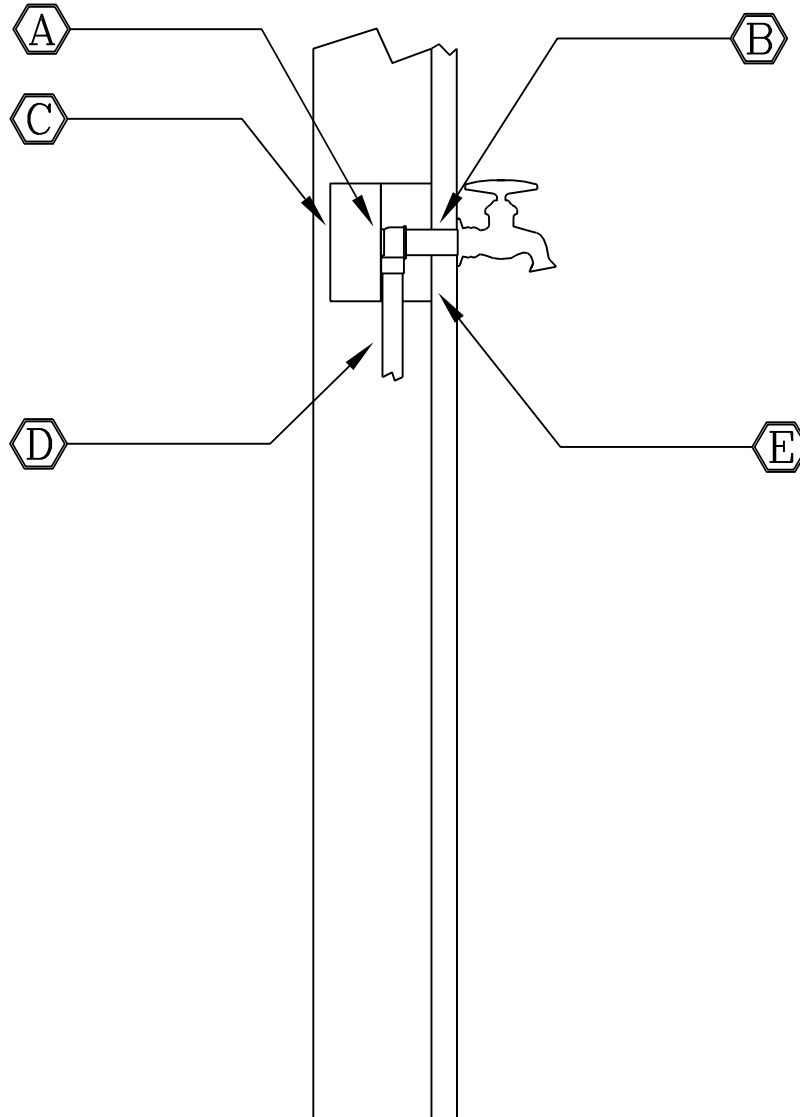


A 1/2" FIP threads

B Vacuum breaker

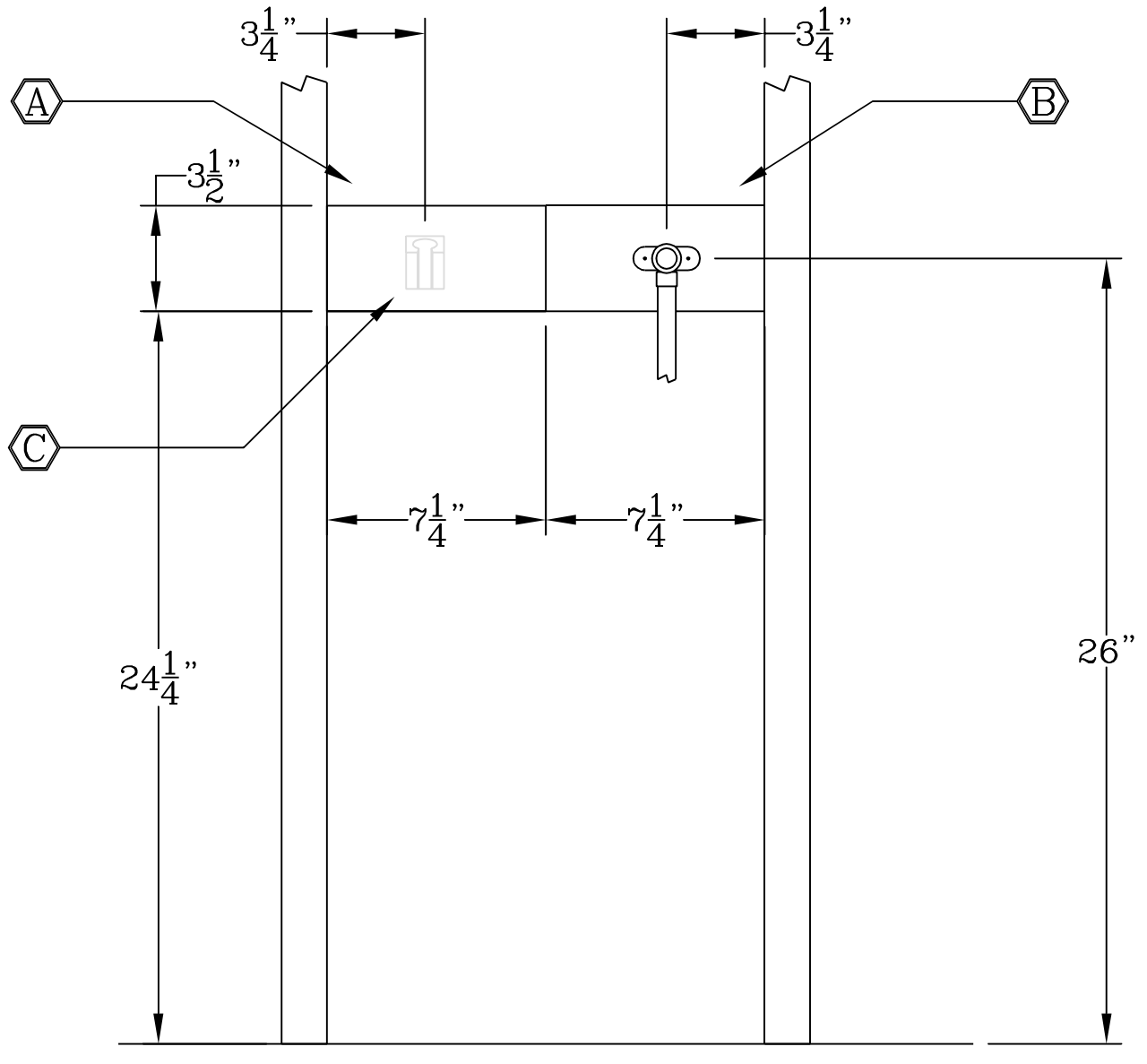
C Recommended height of water inlet above floor.

BEC - MB101 Fonta Mini-Bidet: Stud Wall Side Elev.



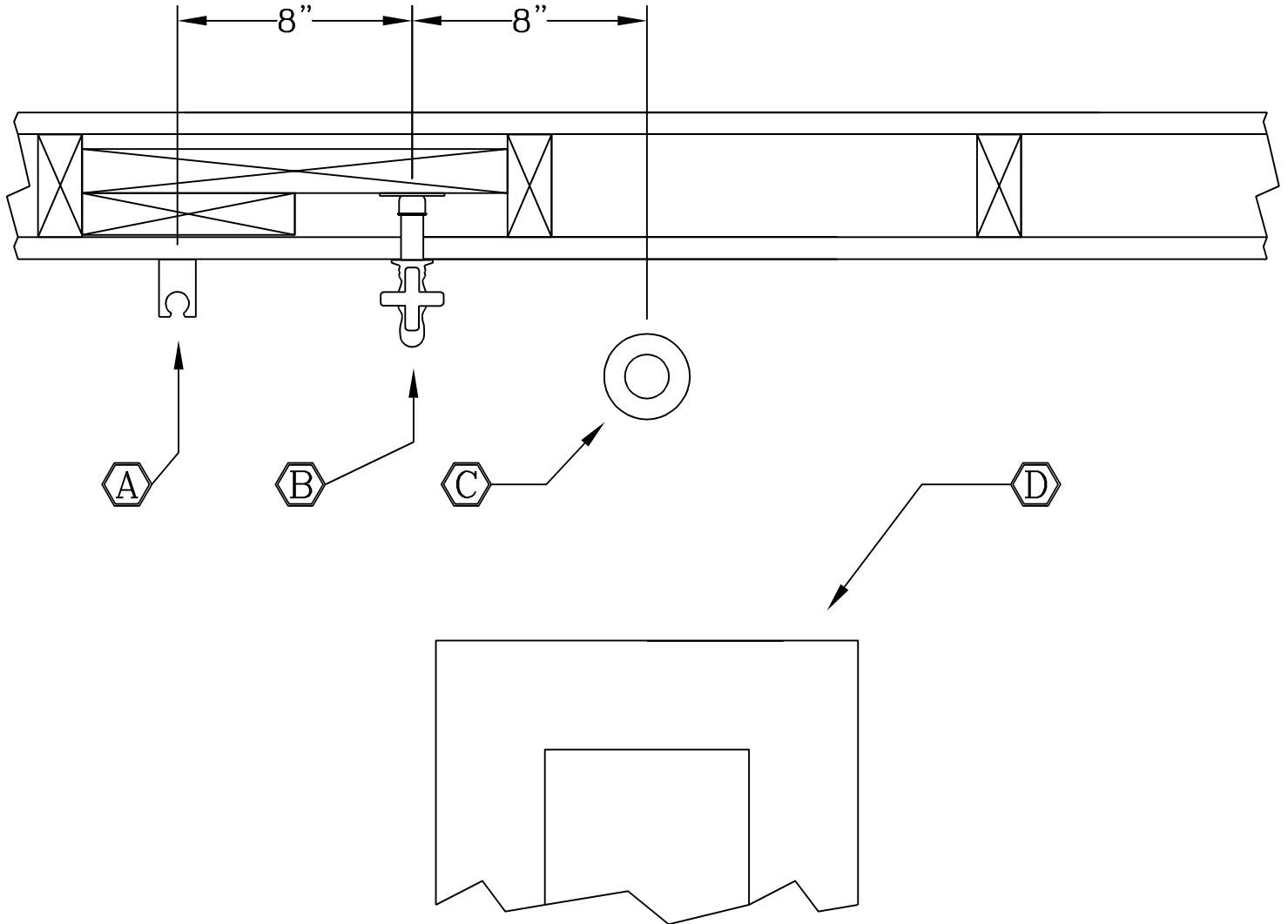
- A** 1/2" Drop ear 90 degree elbow
- B** 1/2" Brass nipple
- C** Support block for 1/2" drop ear 90
- D** 1/2" copper pipe
- E** Support block for sprayer bracket (see Plan View)

BEC - MB101 Fonta Mini-Bidet: Stud Wall Front Elev.



- A** Double thick support blocking for sprayer bracket
- B** Single thick support blocking for drop ear 90
- C** Proposed location of future sprayer bracket

BEC - MB101 Fonta Mini-Bidet: Finish Plan View



- A** Sprayer bracket
- B** Hose faucet shut-off valve
- C** Down-pipe from tank & chrome trim ring
- D** Natural position toilet bowl

Getting the Best Hose Faucet Flange Depth

Note: The correct selection of the best ½" brass nipple length and the correct sealing and tightening techniques when installing the ½" brass nipple are key to enabling the bottom of the chrome hose faucet flange to end up at the correct depth, just snug against the finished wall. To properly install the ½" brass nipple, do the following:

1. Make your best measurement/ estimation of the required length for the brass nipple. Precut brass nipples are available in ½" increments (i.e. 1", 1-½", 2", 2-½",...). Determine which precut brass nipple length is closest to your estimate for the required nipple length. (If using an 1-½" thick block, and half inch thick sheet rock, often a 1-½" brass nipple will work well.)
2. Purchase the brass nipple which is closest to the desired length, and one brass nipple which is ½" shorter, and one brass nipple which is ½" longer than the nipple which is closest to your desired length.
3. When installing the chrome hose faucet, first "dry-fit" the hose faucet without any pipe dope, and using the "dry-fit" method, determine which of the 3 nipples will work best.
4. Once you have determined which nipple will work best, do the following:
 - a. Apply a layer of Teflon pipe dope over one end of the brass nipple.
 - b. Apply three or four wraps deep of Teflon tape on top of the Teflon paste that you have just applied to the nipple.
 - c. Apply another layer of Teflon pipe dope on top of the Teflon tape that you have just wrapped the nipple with.
 - d. Repeat the same process on the other end of this nipple.
5. By applying dope and tape on both ends of the brass nipple in this manner, you will enable yourself to make a good seal for the threads without requiring as much torque on the hose faucet. Thus you'll give yourself a certain amount of "adjustability" to the depth of the hose faucet that you would normally not have.